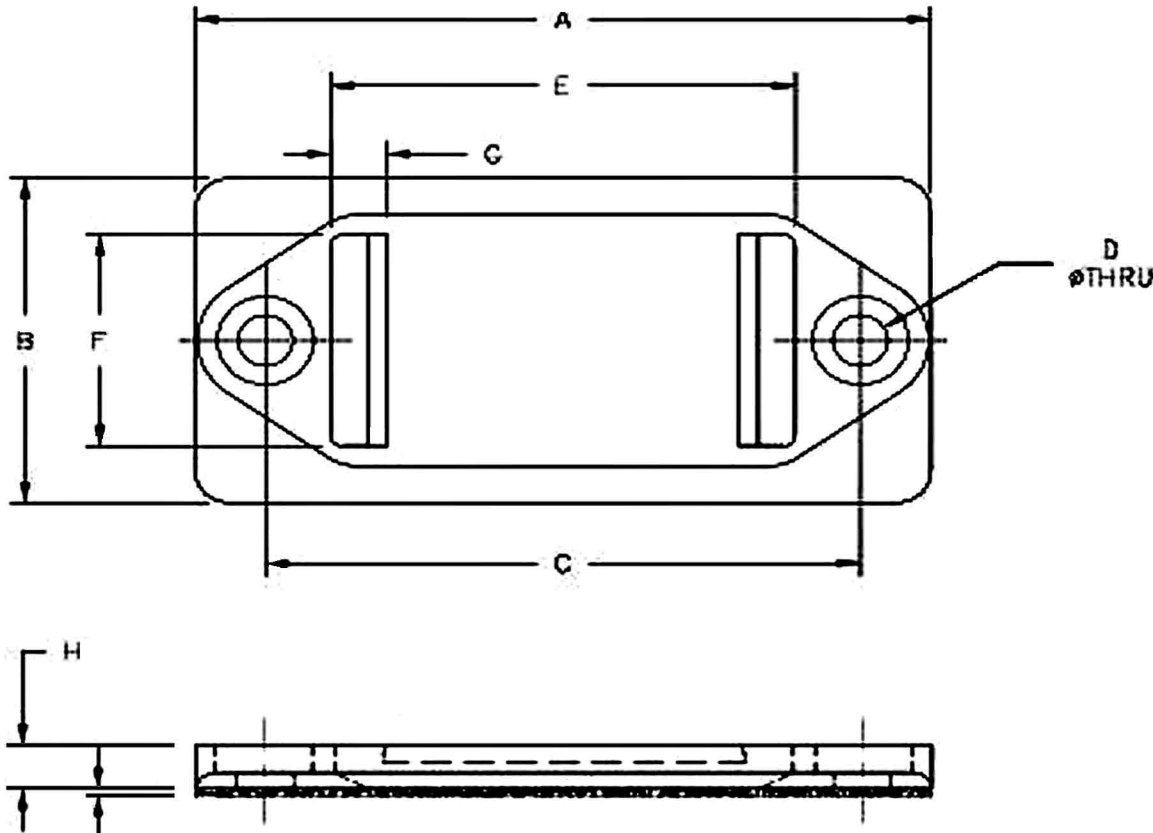


| PART NUMBER   | PRICE EACH | MOUNTING METHOD | USED WITH SPEEDWRAP  | "A"  | "B"  | "C"  | "D" | "E"  | "F"  | "G" | "H"  | PACKAGING |
|---------------|------------|-----------------|--|------|------|------|-----|------|------|-----|------|-----------|
| SWM1X2.5      | 0.17       | 1 / 4" SCREW    | SW1X5, SW1X6, SW1X8, SW1X11,<br>SW1X12, SW1X13, SWR.5X5                  | 2.50 | 1.00 | 1.88 | .25 | 1.29 | .52  | .25 | .210 | 100/PK    |
| SWM1X2.5PSA   | 0.29       | ADHESIVE        |  |      |      |      |     |      |      |     |      |           |
| SW1.5X3.25    | 0.22       | 1 / 4" SCREW    | SW1.5X9, SW1.5X13, SW1.5X15,<br>SW1.5X18, SWR.625X5,<br>SWR.75X5, SWR1X5 | 3.25 | 1.50 | 2.62 | .25 | 2.05 | 1.02 | .25 | .210 | 100/PK    |
| SW1.5X3.25PSA | 0.36       | ADHESIVE        |  |      |      |      |     |      |      |     |      |           |



**REGULAR**  
**1. MATERIAL: POLYETHYLENE**

| PRODUCT CODE DESCRIPTION: |                  |
|---------------------------|------------------|
| SWM1X2.5                  | <b>BLACK</b><br> |
| SWM1X2.5PSA               |                  |
| SW1.5X3.25                |                  |
| SW1.5X3.25PSA             |                  |



.03 PSA ADHESIVE  
DOUBLE COATED  
URETHANE FOAM TAPE  
(SWMPA1X2.5 & SW1.5X3.25PSA ONLY)

|  |                          |           |      |                  |                   |  |
|--|--------------------------|-----------|------|------------------|-------------------|--|
| Title: <b>Speedwrap® Tie Mounts</b>  |                          |           |      |                  | DWG in<br>IN (MM) |  |
| Tolerances   | File # 705.4             | DWN:      | APP: | FINAL            |                   |  |
| Unless noted:<br>.XX = +/- .03<br>.XXX = +/- .010<br>Frac = +/- 1/8<br>Ang = +/- 1       | Mat'l:<br>RE:            | DT:       | DT:  | Part #           | Print<br>Type     |  |
| <b>SPEEDTECH INTERNATIONAL, INC.</b><br>P.O. BOX 246, Racine, WI 53401<br>1-800-771-3896 |                          |           |      | <b>SWM STYLE</b> |                   |  |
| REV  | ***FOR REFERENCE ONLY*** | UPDATED   |      |                  |                   |  |
|  |                          | 23MARCH12 |      |                  |                   |  |